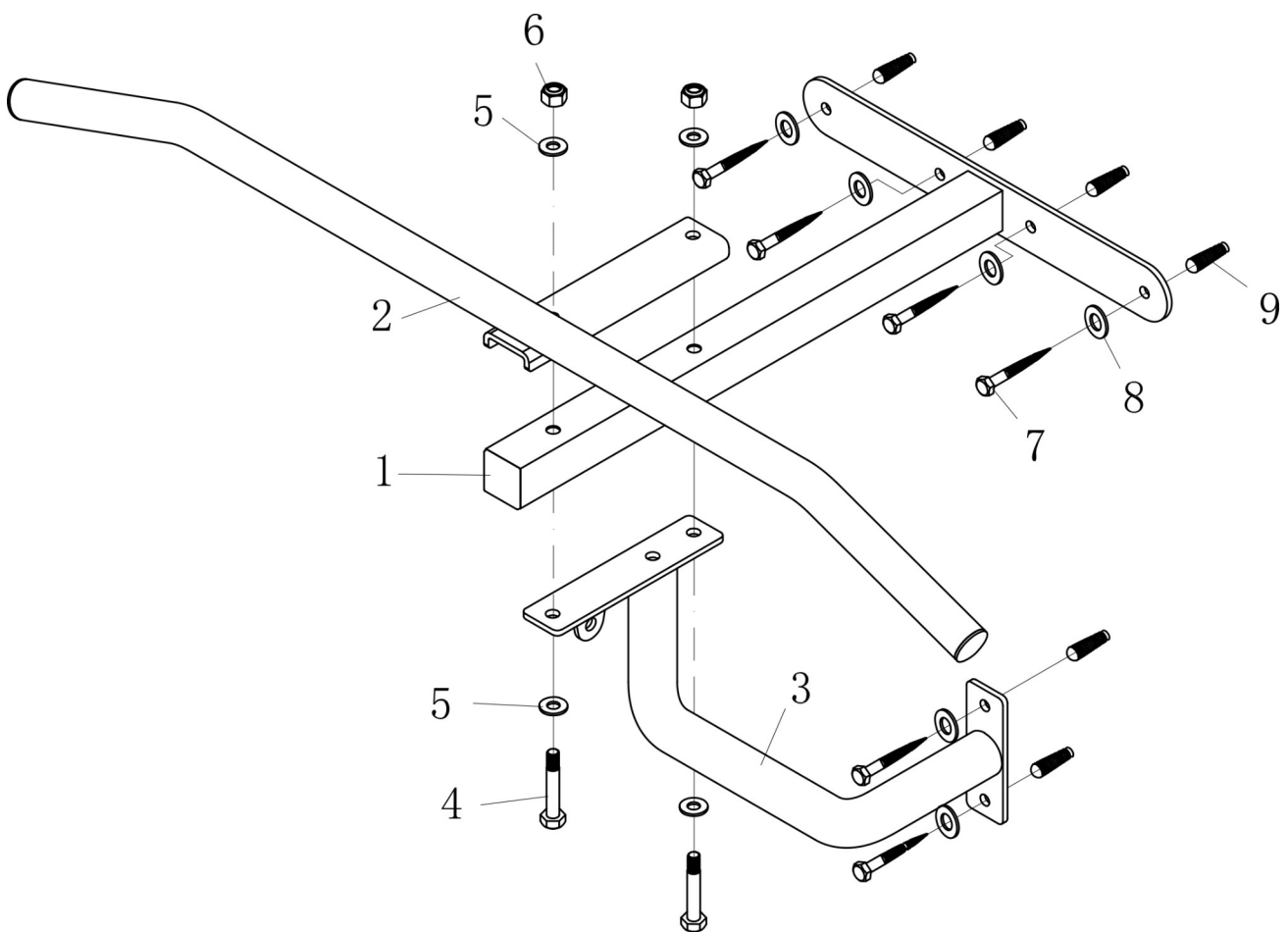


Chin Up Bar Z453 chin up bar, ID: 8122, EAN :8591792081220

Assembly instructions



PART NO	DESCRIPTION	Q'TY
1	MAIN TUBE	1
2	UP CONNECT TUBE	1
3	SUPPORT TUBE	1
4	M10 X 60MM BOLT	2
5	M10 WASHER	4
6	NYLON LOCK NUT M10	2
7	M8 X 70MM BOLT	6
8	M8 WASHER	6
9	EXPANSION SETS	6